

UP102 SAFETY SIGN (6-23 MONTH)
UP103 SAFETY SIGN (6-23 MONTH OR 2-5 YEAR OLD)
UP104 SAFETY SIGN (2-5 YEAR OLD)
UP105 SAFETY SIGN (5-12 YEAR OLD)
UP106 SAFETY SIGN (2-5 OR 5-12 YEAR OLD)

Parts List						
DESCRIPTION	UP102	UP103	UP104	UP105	UP106	PART NUMBER
PLAY SAFELY WARNING SIGN (6 TO 23 MONTHS)	1	0	0	0	0	405546
PLAY SAFELY WARNING SIGN (6-23 MONTH OR 2-5 YEAR OLD)	0	1	0	0	0	405547
PLAY SAFELY WARNING SIGN (2-5 YEAR OLD)	0	0	1	0	0	405548
PLAY SAFELY WARNING SIGN (5-12 YEAR OLD)	0	0	0	1	0	405549
PLAY SAFELY WARNING SIGN (2-5 OR 5-12 YEAR OLD)	0	0	0	0	1	405550
UPRIGHT ASS'Y	1	1	1	1	1	403838
HARDWARE COMPLETE	1	1	1	1	1	403840
3/8" x 2 1/4" P.B.H.C.S. w/PATCH	2	2	2	2	2	812056*
3/8" LOCK WASHER	2	2	2	2	2	817334*
3/8" BARREL NUT	2	2	2	2	2	804804*
1/2" ANCHOR ROD	1	1	1	1	1	135038*

Unless Otherwise Specified, All Units of Measure are Each

Items listed below Hardware Complete line are included with Hardware Complete Number

Warning: During Installation, Hardware And Small Parts Are Choking Hazards For Young Children. Store Unused Parts Appropriately Until Assembly Is Completed. Once Assembly Is Completed, Remove Any Unused Parts From The Play Environment And Dispose/Save Them In A Secure Location. Any bolt end protruding more than two full threads beyond the face of the nut causes risk of clothing entanglement. Promptly cut-off flush, file smooth, and treat to prevent corrosion.

Note: Peen Tee-Nuts and Flatwashers to match radius of pipe after assembly is complete.

Note: Loctite (supplied by others) should be used on any non-patch hardware.

SPECIFICATIONS:

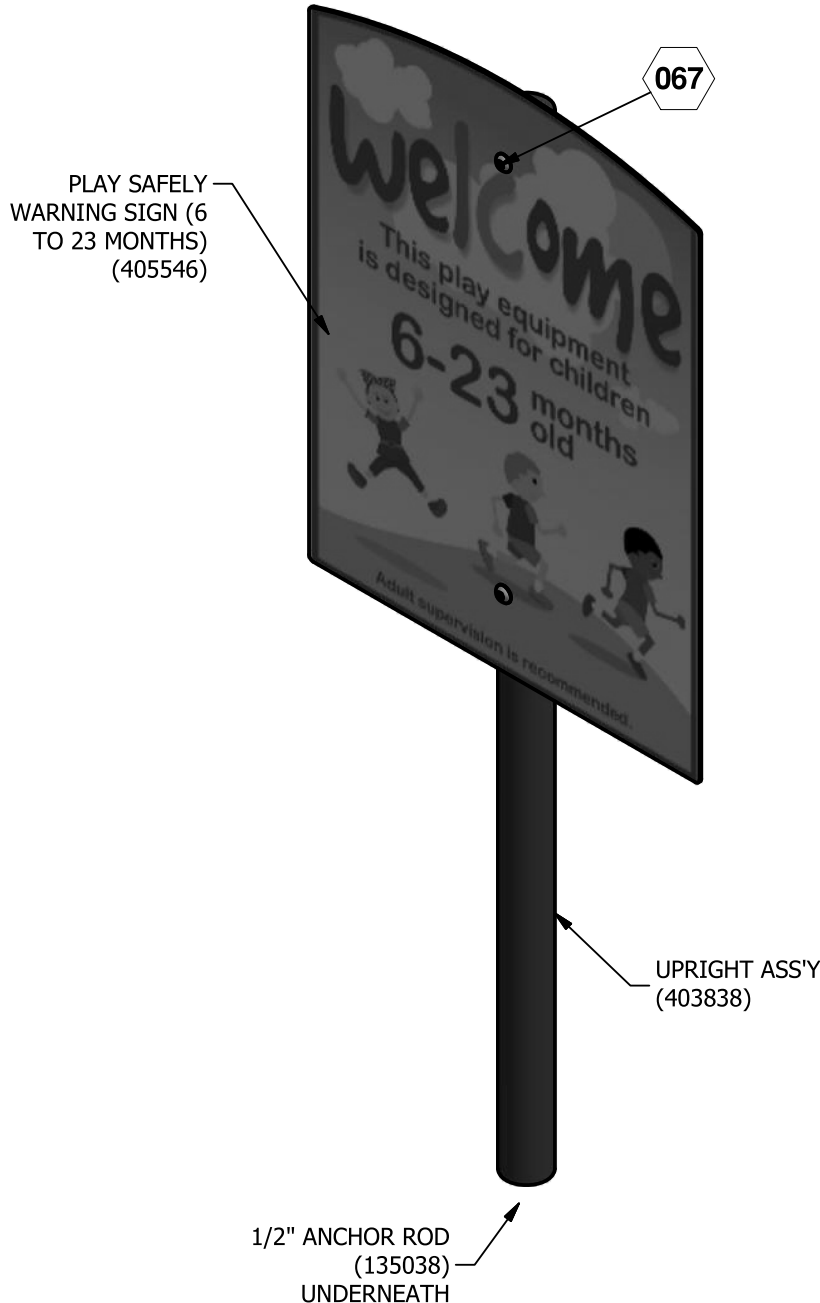
Play Safety Sign: Shall be fabricated from 23" x 30" x 1/8" thick fiberglass-embedded material. Panel shall be single faced with a glossy finish. Panel shall have two mounting holes for mounting to upright assembly.

Upright Ass'y: Shall be an all welded construction fabricated from 2.375 O.D. (13 ga) galvanized tubing and a 14 gauge steel cap. The Upright Ass'y shall be coated after fabrication with a custom formula of TGIC polyester powder coating in conformance with the specifications outlined herein.

INSTALLATION INSTRUCTIONS:

1. Determine the location of the Safety Sign and dig the footing hole as shown in Top View. Refer to the Elevation View for footing depth.
2. Attach Safety Sign to Upright Ass'y using 3/8" x 2 1/4" P.B.H.C.S. w/Patch, 3/8" Lock Washer, and 3/8" Barrel Nut. See Detail 067.
3. When the Safety Sign is plumb and level, tighten all fastener and pour concrete footing within 4" to the top and taper away from supports to allow drainage. Allow to cure at least 48 hours before use. Temporary bracing may be required until concrete cures.

- UP102 SAFETY SIGN (6-23 MONTH)
- UP103 SAFETY SIGN (6-23 MONTH OR 2-5 YEAR OLD)
- UP104 SAFETY SIGN (2-5 YEAR OLD)
- UP105 SAFETY SIGN (5-12 YEAR OLD)
- UP106 SAFETY SIGN (2-5 OR 5-12 YEAR OLD)



 = INSTALLATION DETAIL

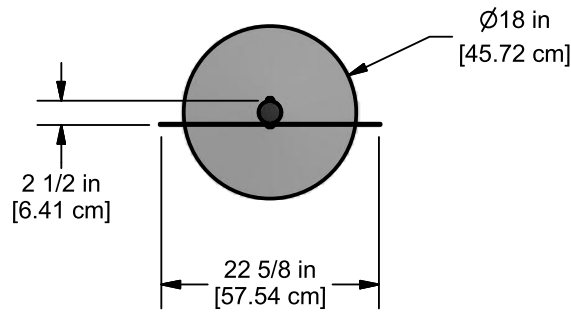
Issued/Revised: 7/31/2018

FINISHED ASSEMBLY
UP102 SHOWN

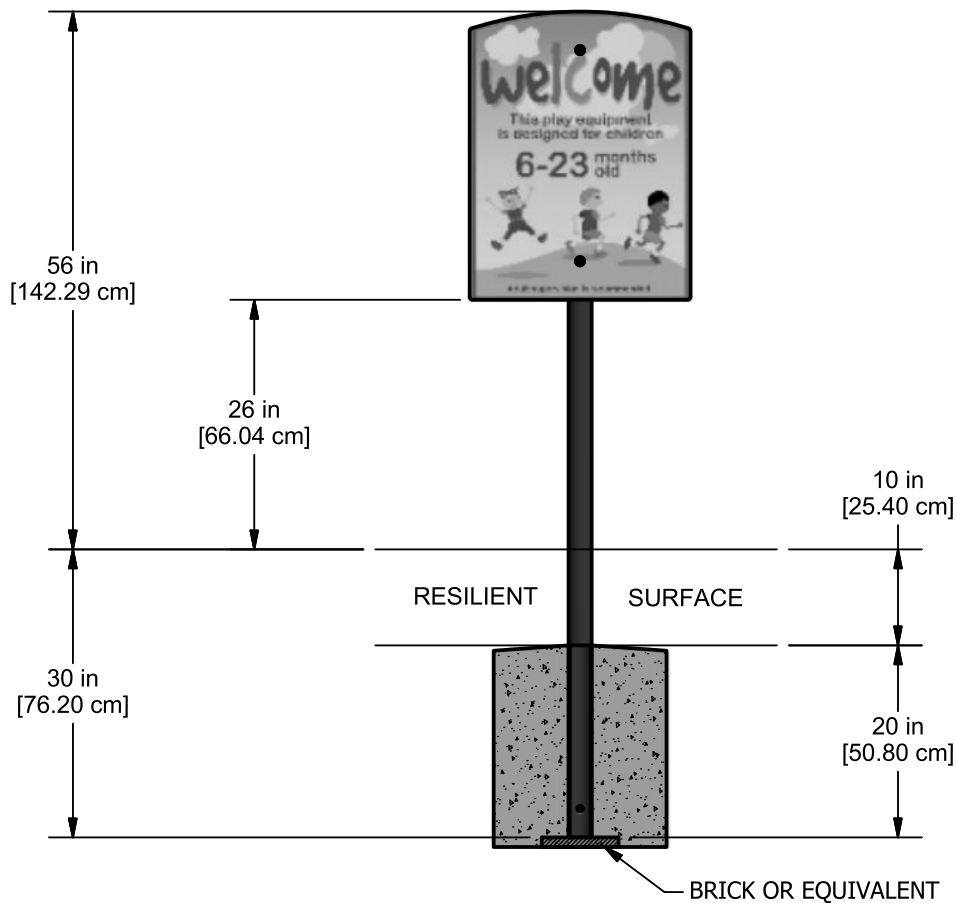
ultraPLAY

A PLAYCORE Company

- UP102 SAFETY SIGN (6-23 MONTH)
- UP103 SAFETY SIGN (6-23 MONTH OR 2-5 YEAR OLD)
- UP104 SAFETY SIGN (2-5 YEAR OLD)
- UP105 SAFETY SIGN (5-12 YEAR OLD)
- UP106 SAFETY SIGN (2-5 OR 5-12 YEAR OLD)

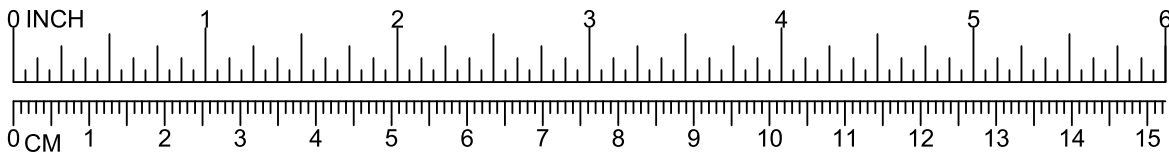


PLAN VIEW



ELEVATION VIEW
UP102 SHOWN

Issued/Revised: 7/31/2018



UP102 SAFETY SIGN (6-23 MONTH)
UP103 SAFETY SIGN (6-23 MONTH OR 2-5 YEAR OLD)
UP104 SAFETY SIGN (2-5 YEAR OLD)
UP105 SAFETY SIGN (5-12 YEAR OLD)
UP106 SAFETY SIGN (2-5 OR 5-12 YEAR OLD)

