



## 66575 PAINT SHOP

Parts List		
DESCRIPTION	QTY	PART NUMBER
FRAME ASS'Y	1	311830
CLEAR PAINT PANEL	1	311768
HDPE CUP HOLDER	2	311825
<b>HARDWARE COMPLETE</b>	1	311831
3/8" x 3/4" P.B.H.C.S. w/PATCH	12	812052*
3/8" x 1 3/4" P.B.H.C.S. w/PATCH	6	812054*
3/8" FLAT WASHER	30	817410*
3/8" BARREL NUT	6	804804*
3/8" ACORN NUT	12	804002*

*Unless Otherwise Specified, All Units of Measure are Each*

*\*Items listed below Hardware Complete line are included with Hardware Complete Number*

**Warning: During Installation, Hardware And Small Parts Are Choking Hazards For Young Children. Store Unused Parts Appropriately Until Assembly Is Completed. Once Assembly Is Completed, Remove Any Unused Parts From The Play Environment And Dispose/Save Them In A Secure Location. Any bolt end protruding more than two full threads beyond the face of the nut causes risk of clothing entanglement.**

**Promptly cut-off flush, file smooth, and treat to prevent corrosion.**

**Note: Peen Tee-Nuts and Flatwashers to match radius of pipe after assembly is complete.**

**Note: Loctite (supplied by others) should be used on any non-patch hardware.**

### **SPECIFICATIONS:**

**Cup Holder:** High-density 3/4" thick extruded solid polyethylene with color molded in and UV-stabilized.

**Frame:** 1 1/2" and 1.029" galvanized pipe powder-coated after fabrication.

**Painting Surface:** Single sheet of clear polycarbonate 3/16" thickness.

**Hardware:** Stainless steel.

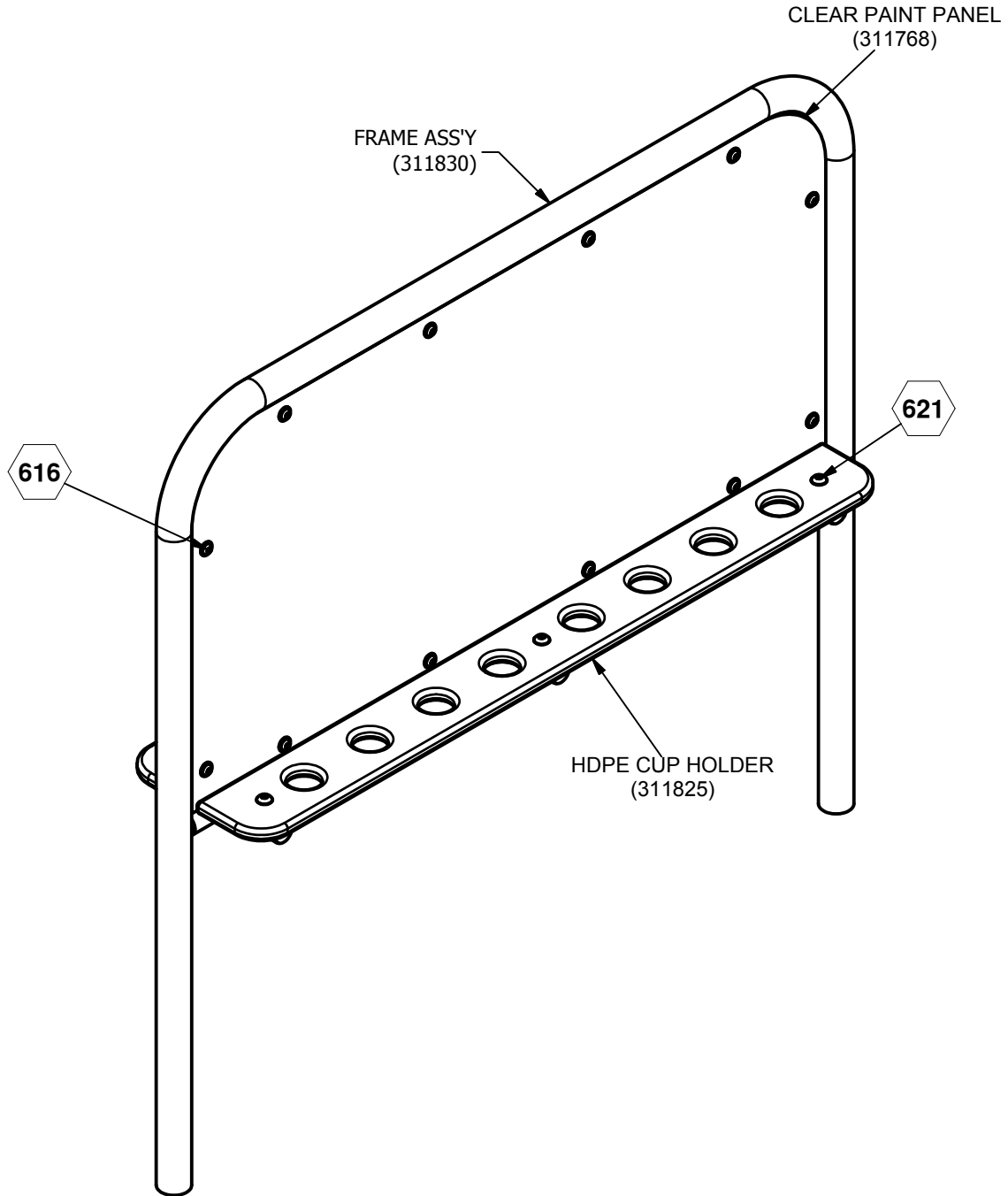
### **INSTALLATION INSTRUCTIONS:**

1. Dig footing holes as shown in Plan and Elevation Views.
2. Attach Clear Paint Panel to Frame using 3/8" x 3/4" P.B.H.C.S. w/Patch, 3/8" Flat Washer and 3/8" Acorn Nut. See Detail 616.
3. Attach HDPE Cup Holder to Frame using 3/8" x 1 3/4" P.B.H.C.S. w/Patch, 3/8" Flat Washer and 3/8" Barrel Nut. See Detail 621.
4. Plumb and level the entire assembly and tighten all fasteners.
5. After entire unit is assembled pour concrete footings within 4" to the top and taper away from post for water drainage. Allow to cure at least 48 hours before use. Temporary bracing may be required until concrete cures.
6. When the structure is finished and satisfactory, eliminate sharp points and sharp edges (burring) on installed hardware like bolts, nuts, etc. Install resilient surfacing material within the use zone of play structure in accordance with ASTM specifications F1292 appropriate for the fall height of each structure. Refer to the safety guidelines.

### **MAINTENANCE PROCEDURE:**

Periodically check hardware for tightness, and tighten as necessary. Always check all parts for breakage or wear, and immediately put equipment out of service until any faulty parts found are repaired or replaced. Also Check all metal parts for rust, paint loss and touch-up if necessary with paint. Check for welded areas and verify integrity. Check periodically resilient surfacing for appropriate depth and remove extraneous materials that could cause injury, infection, or disease. Maintain detailed installation, inspection, maintenance, and repair records for each public-use playground equipment.

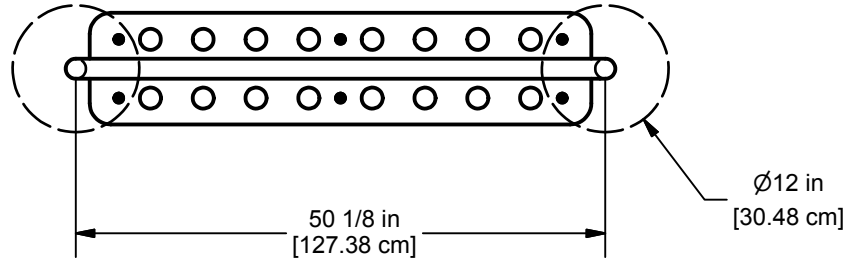
## 66575 PAINT SHOP



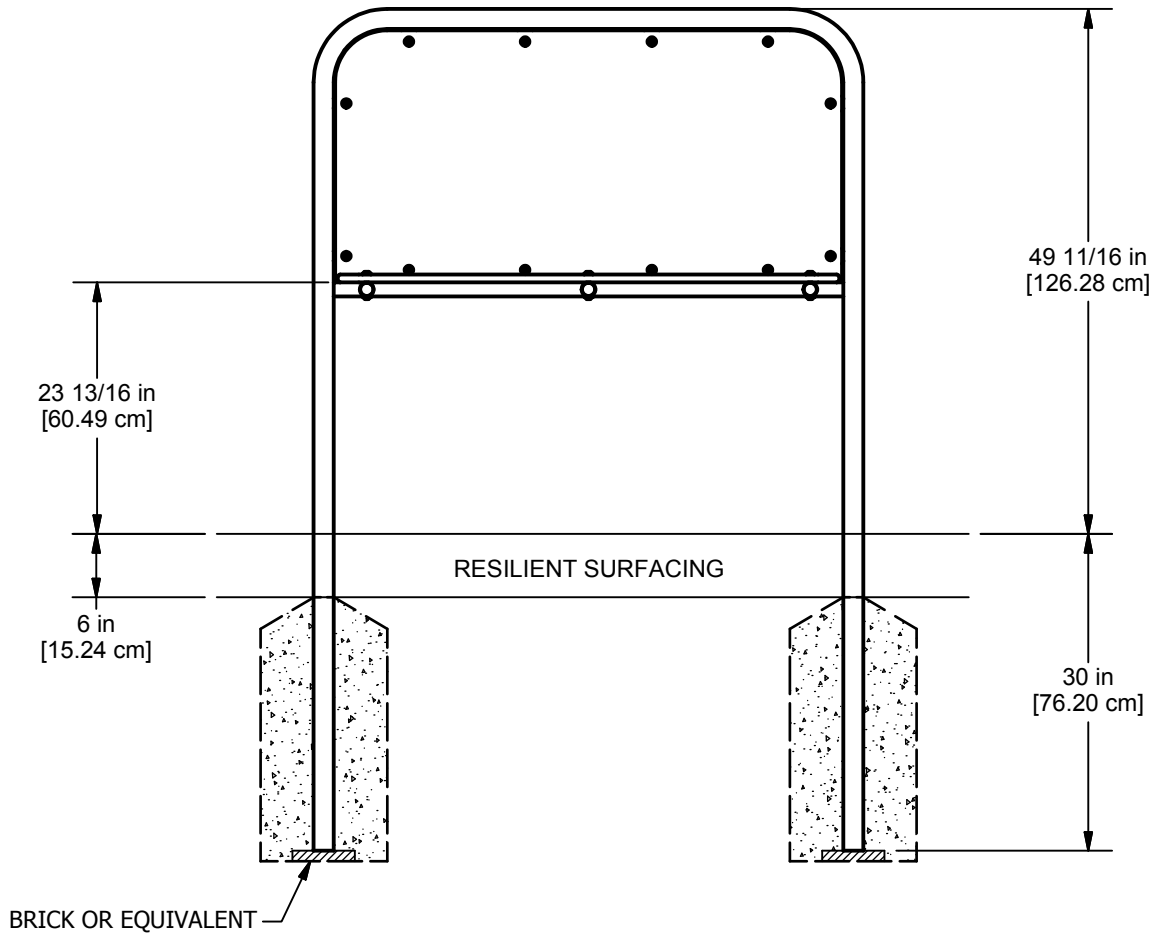
**FINISHED ASSEMBLY**

 = INSTALLATION DETAIL

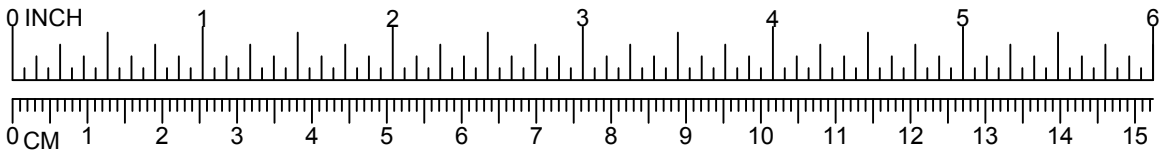
## 66575 PAINT SHOP



**PLAN VIEW**



**ELEVATION VIEW**



# 66575 PAINT SHOP

