



Model No: \_\_\_\_\_

Desc: \_\_\_\_\_

## MODEL NO.66503 Cat's Den

### PARTS LIST

DESCRIPTION	NO. REQ'D	PART NUMBER
24" Support Leg	4	300752
Side Panel- Red	2	304706**
Cat Panel- Yellow	1	304707**
Cat's Eye Panel- Black	2	304708**
Bear Panel- Yellow	1	304709**
Feet Panel- Blue	2	304710**
90° Angle Bracket	8	302334
55° Angle Bracket	1	304712
Hardware Complete	1	304704
3/8" Barrel Nut	26	804804*
3/8" Flat Washer	26	817410*
3/8" x 1 1/4" P.B.H.C.S. w/Patch	8	812051*
3/8" x 1 3/4" P.B.H.C.S. w/Patch	4	812054*
3/8" x 3/4" P.B.H.C.S. w/Patch	14	812052*

**Unless Otherwise Specified, All Units of Measure are Each**

**\*Included in Hardware**

**\*\* Included in Kit #304705**

**Warning: Small parts and hardware items may present a potential choking hazard. Promptly remove all unused parts from play area. Any bolt end protruding more than two full threads beyond the face of the nut causes risk of clothing entanglement. Promptly cut-off flush, file smooth, and treat to prevent corrosion.**

**Note: Peen Tee-Nuts and Flatwashers to match radius of pipe after assembly is complete.**

**Note: Loctite (supplied by others) should be used on all threaded hardware.**

### INSTALLATION INSTRUCTIONS:

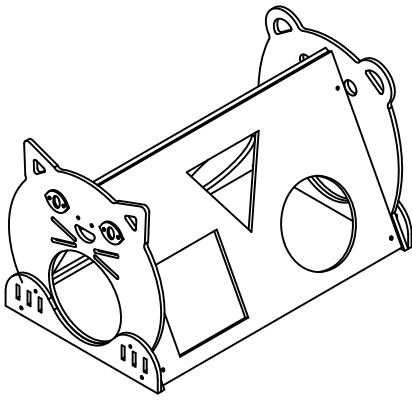
**IMPORTANT:** Read through all instruction steps before starting. Do not fully tighten fasteners until all assembly is completed and satisfactory.

1. Dig footings as shown in Plan view.
2. Attach Side Panels (A) to Cat Panels (B) using Brackets (F), Screws (I), Washers (N), and Nuts (M). Attach Side Panels (A) together using Bracket (G), Bolts (I), Washers (N), and Nuts (M).
3. Repeat the procedure with Bear Panel (D). Attach Cat's Eyes Panels (C) to Cat Panel (B) using Screws (K), Washers (N), and Nuts (M).
4. Attach Feet Panels (E) and 24" Support Posts (H) to Cat Panel (B) and Bear Panel (D) using Screws (K,L), Washers (N) and Nuts (M). Place the entire assembly in the dug footing holes and brace in position per the plan view diagram.
5. When the assembly is completed and satisfactory, tighten all fasteners. Eliminate sharp points and sharp edges (burring) on installed hardware like bolts, nuts, etc... Plumb and level the entire Cat's Den and pour concrete within 4" to the top and taper away from Posts for good water drainage. Allow to cure at least 48 hours before use.
6. Install resilient surfacing material within the *use zone* of play structure in accordance with ASTM specifications F1292 appropriate for the fall height of each structure. Refer to the *Safety Guidelines*.

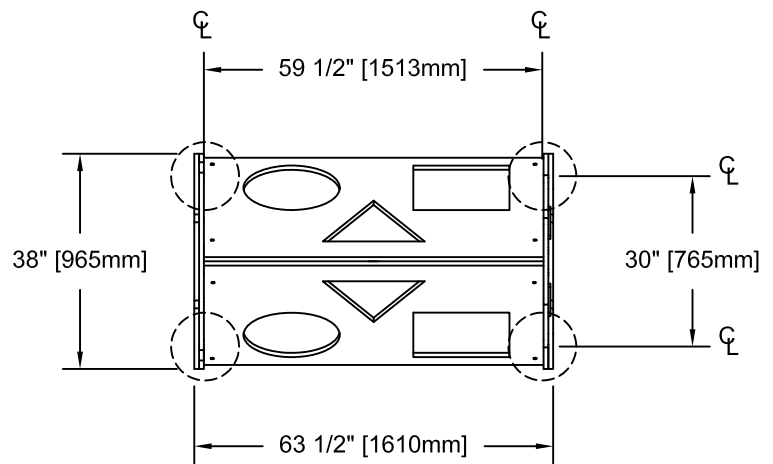
## MODEL NO.66503 Cat's Den

### MAINTENANCE PROCEDURE:

Periodically check hardware for tightness, and tighten as necessary. Always check all parts for breakage or wear, and immediately put equipment out of service until any faulty parts found are repaired or replaced. Check for rust, paint loss and touch-up if necessary with paint. Check for cracks, gouges or breakage on plastic, check for integrity of the plastic, keep plastic clean of any extraneous substances, verify that any deformation does not create entrapment as specified on ASTM F1487 section 6. Check periodically resilient surfacing for appropriate depth and remove extraneous materials that could cause injury, infection, or disease. Maintain detailed installation, inspection, maintenance, and repair records for each public-use playground equipment.

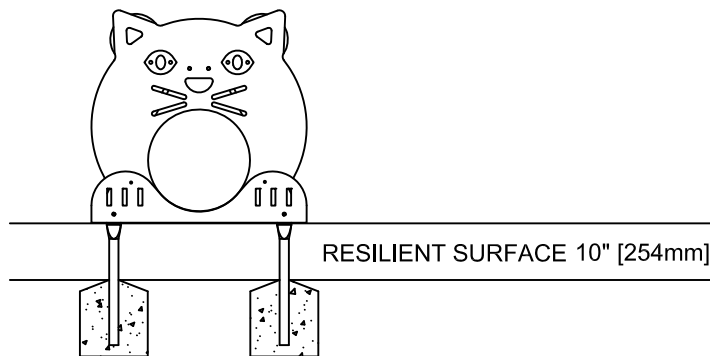


**FINISHED ASSEMBLY**

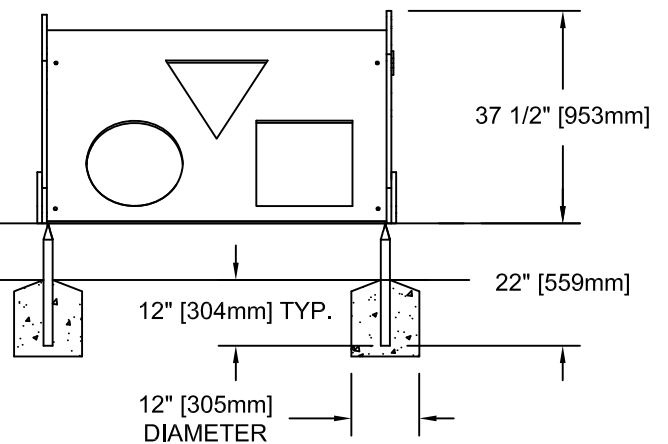


**FOOTING DIAGRAM**

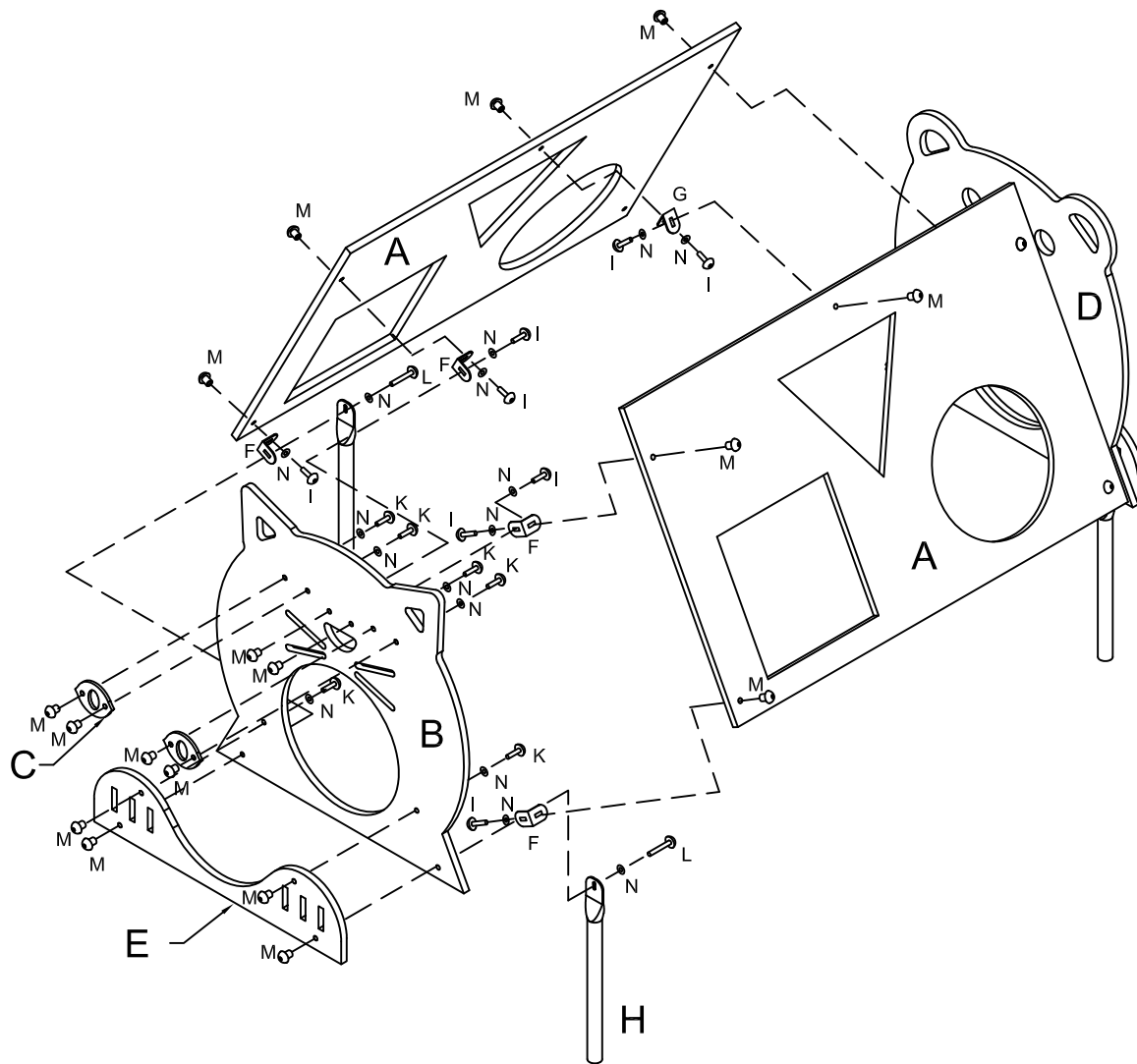
**FRONT VIEW**



**ELEVATION VIEW**



## MODEL NO.66503 Cat's Den



### **LEGEND FOR ASS'Y DRAWINGS:**

A = SIDE PANEL	(RED)	(2)	H = 24" SUPPORT POST	(4)
B = CAT PANEL	(YELLOW)	(1)	I = 3/8" X 3/4" P.B.H.C.S. W/ PATCH	(14)
C = CAT'S EYE PANEL	(BLACK)	(2)	K = 3/8" X 1-1/4" P.B.H.C.S. W/ PATCH	(8)
D = BEAR PANEL	(YELLOW)	(1)	L = 3/8" X 1 3/4" P.B.H.C.S. W/PATCH	(4)
E = FEET PANEL	(BLUE)	(2)	M = 3/8" BARREL NUT	(26)
F = 90° ANGLE BRACKET	(WHITE)	(8)	N = 3/8" FLAT WASHER	(26)
G = 55° ANGLE BRACKET	(WHITE)	(1)		