

UP109 INCLUSIVE SEAT (PLAYFUL) UP110 INCLUSIVE SEAT (NATURAL)

Parts List			
DESCRIPTION	UP109	UP110	PART NUMBER
MADE-FOR-ME SWING SEAT ASSEMBLY (2-5) (YELLOW)	1	0	178862
MADE-FOR-ME SWING SEAT ASSEMBLY (2-5) (BEIGE)	0	1	179300
HARDWARE COMPLETE	1	1	178868
GALVANIZED CHAIN, 100 5/8" LG.	2	2	178866
3/8" x 1 1/4" P.B.H.C.S. w/PATCH	2	2	812051
3/8" x 1 3/4" P.B.H.C.S. w/PATCH	2	2	812054
3/8" LOCKWASHER	4	4	817334
3/8" FLATWASHER	2	2	817410
3/8" FLATWASHER (1 1/4" O.D.)	2	2	817424
3/8" BARREL NUT	2	2	804804
SWING HANGER 2 3/8" O.D.	2	2	1461
SPACER	2	2	179390

Unless Otherwise Specified, All Units of Measure are Each

Items listed below Hardware Complete line are included with Hardware Complete Number

Warning: During Installation, Hardware And Small Parts Are Choking Hazards For Young Children. Store Unused Parts Appropriately Until Assembly Is Completed. Once Assembly Is Completed, Remove Any Unused Parts From The Play Environment And Dispose/Save Them In A Secure Location. Any bolt end protruding more than two full threads beyond the face of the nut causes risk of clothing entanglement. Promptly cut-off flush, file smooth, and treat to prevent corrosion.

Note: Peen Tee-Nuts and Flatwashers to match radius of pipe after assembly is complete.

Note: Loctite (supplied by others) should be used on any non-patch hardware.

SPECIFICATIONS:

MADE-FOR-ME SWING SEAT ASSEMBLY:

All polyethylene shall be linear low-density material with UV-stabilized color and an anti-static compound additive. All rotationally molded products shall meet or exceed the following specifications: ASTM D-1248, type 2, class A and Federal specification LP-390C, type 1, class M, grade 2, category 3; Density (ASTM-648); Low Temperature impact (ARM-STD).

SWING HANGER 2 3/8" O.D.:

The swing hanger shall consist of a top clevis, bottom clevis, and swing pendulum. The top clevis shall have a non-slip-serrated surface. The pendulum shall incorporate a factory installed bronze bushing. The pendulum shall be attached to the bottom clevis with 1/2" x 2 1/2" Hex Bolt, 1/2" Lockwasher, and 1/2" Hex Nut.

GALVANIZED CHAIN:

Shall be made from 4/0 straight coil chain.

HARDWARE:

All nuts, bolts, and washers, with exceptions noted, shall be 3/8" diameter 18-8 stainless steel in varying lengths, with a vandalresistant hex-pinned head configuration and factory-applied locking patch. When allowed a 72-hour cure time, the locking patch will prevent the bolt from loosening without at least 4 times the installation torque. Ultraplay will supply the special tool required to turn vandal-resistant hardware with each shipment.

UP109 INCLUSIVE SEAT (PLAYFUL) UP110 INCLUSIVE SEAT (NATURAL)

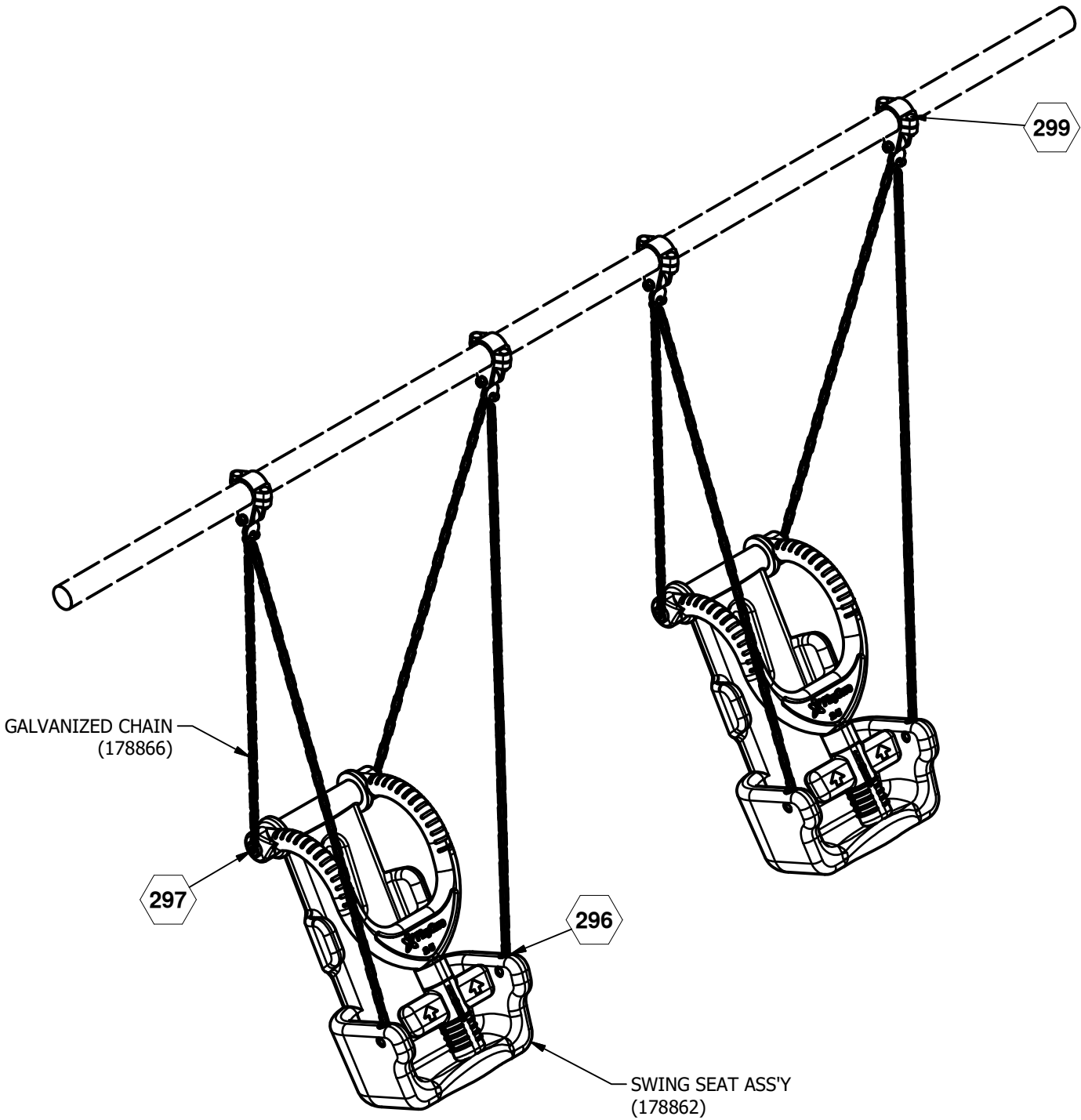
INSTALLATION INSTRUCTIONS:

1. Remove 3/8" x 3/4" Hex Head Bolts from seat and discard.
2. Attach appropriate chain to top of seat using 3/8" x 1 1/4" P.B.H.C.S. w/Patch, 3/8" Lockwasher, and 3/8" Flat Washer (1 1/4" O.D.), and spacer. see Detail 297.
3. Connect chain to bottom of seat using 3/8" x 1 3/4" P.B.H.C.S. w/Patch, 3/8" Lockwasher, 3/8" Flatwasher, and 3/8" Barrel Nut. See Detail 296.
4. Connect assembled Swing Seat to Swing Hanger using 3/8" x 1" Shoulder Bolt. Refer to Detail 299.
5. Attach Swing Seat Assembly to top rail using 3/8" x 2" Carriage Bolt and 3/8" Lock Nut. See Detail 299. Refer to Finished Assembly drawing for swing seat spacing.

MAINTENANCE PROCEDURE:

Periodically check hardware for tightness, and tighten as necessary. Always check all parts for breakage or wear, and immediately put equipment out of service until any faulty parts found are repaired or replaced. Also Check all metal parts for rust, paint loss and touch-up if necessary with paint. Check for welded areas and verify integrity. Check periodically resilient surfacing for appropriate depth and remove extraneous materials that could cause injury, infection, or disease. Maintain detailed installation, inspection, maintenance, and repair records for each public-use playground equipment.

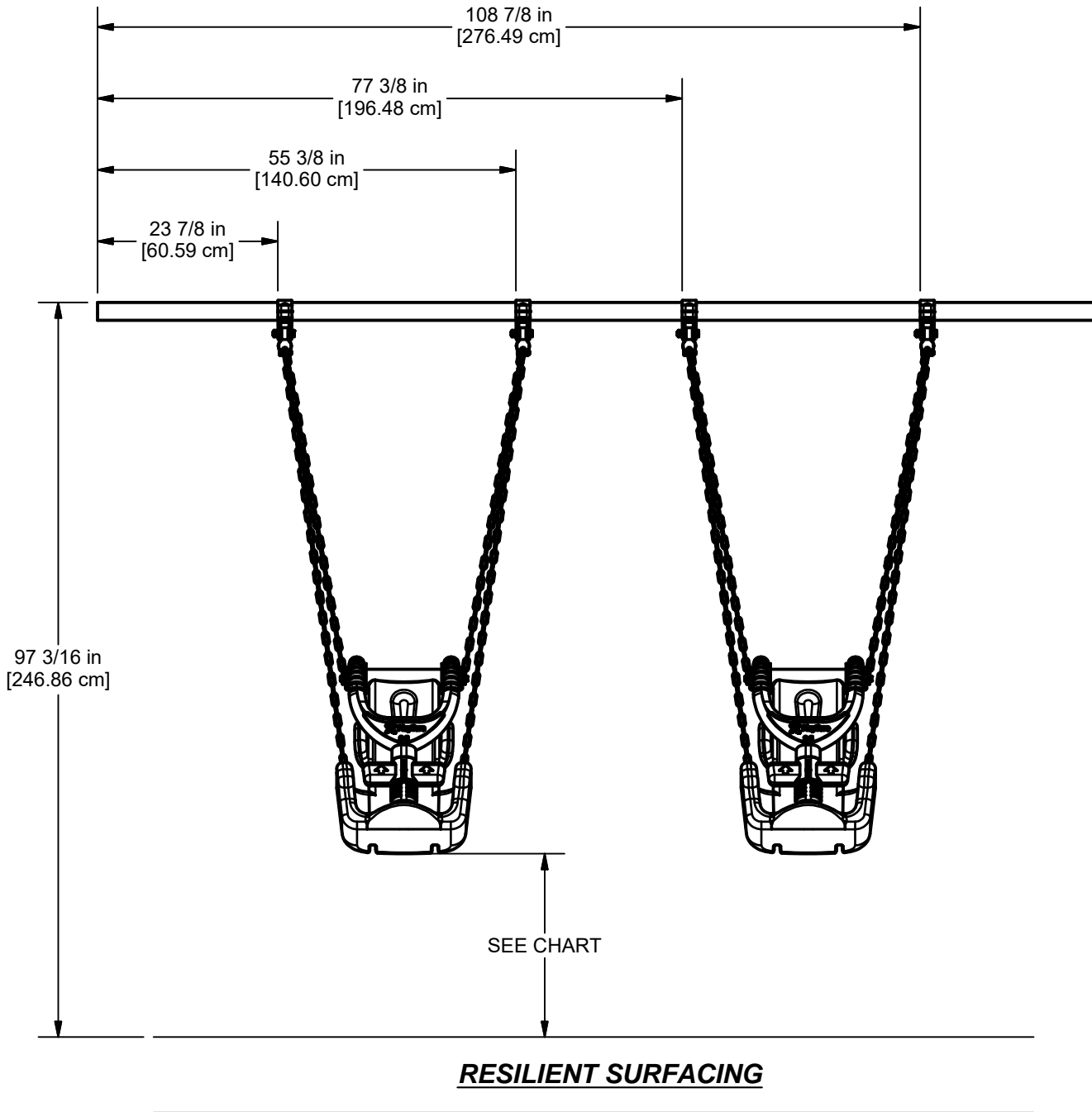
*UP109 INCLUSIVE SEAT (PLAYFUL)
UP110 INCLUSIVE SEAT (NATURAL)*



FINISHED ASSEMBLY
UP109 SHOWN

Issued/Revised: 8/1/2019

UP109 INCLUSIVE SEAT (PLAYFUL) UP110 INCLUSIVE SEAT (NATURAL)



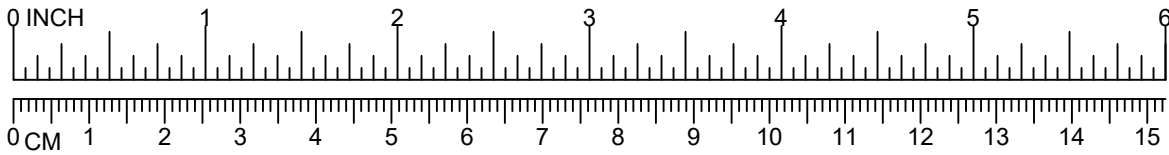
DIMENSION FROM UNDERSIDE OF SEAT TO PROTECTIVE SURFACING		
STANDARD	MIN.	MAX.
CANADIAN	0"-11 13/16" [30.01 cm]	N/A
ASTM	2'-0" [60.96cm]	N/A
EN	1'-1 3/4" [34.93cm]	N/A
CPSC	1'-4" [40.64cm]	N/A

ELEVATION VIEW
UP109 SHOWN
ultraPLAY
A PLAYCORE Company

Issued/Revised: 8/1/2019

800.458.5872

www.ultraplay.com



UP109 INCLUSIVE SEAT (PLAYFUL) UP110 INCLUSIVE SEAT (NATURAL)

