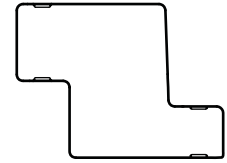
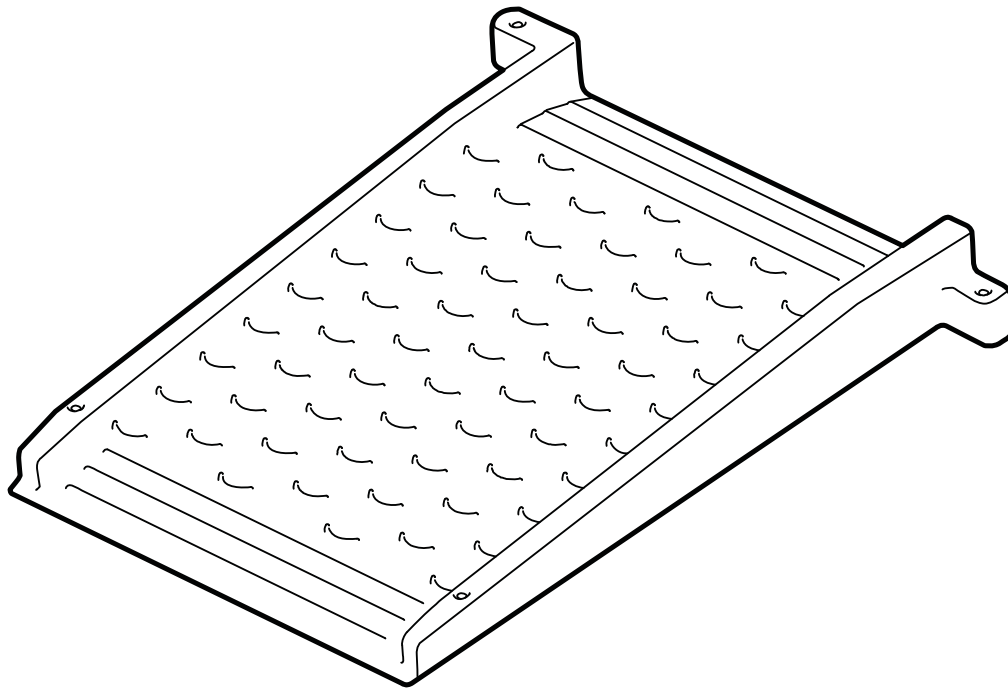
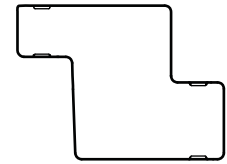


# UPLAY TODAY™

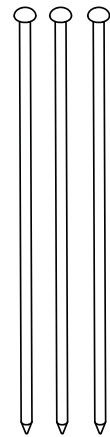
P L A Y S Y S T E M S



**Border Adaptor(Left)**  
(02-07-0124)



**Border Adaptor(Right)**  
(02-07-0125)



**(3)Stakes**  
(02-07-0077)

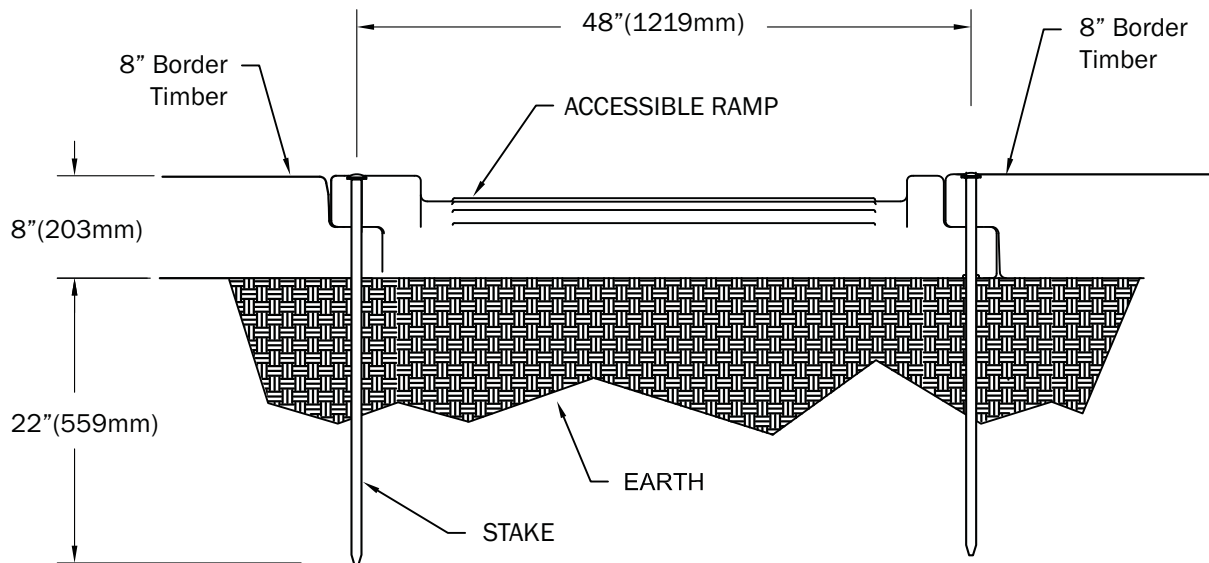
MODEL # 02-07-0078BLK

## *Accessible Ramp*

INSTALLATION INSTRUCTIONS

# INSTALLATION INSTRUCTIONS - 8" Border Timbers - No Concrete

## REAR ELEVATION



## INSTALLATION INSTRUCTIONS

### using 8" Border Timbers

#### - No Concrete Footers:

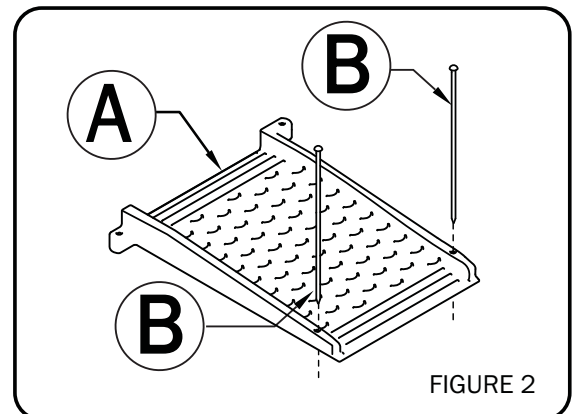
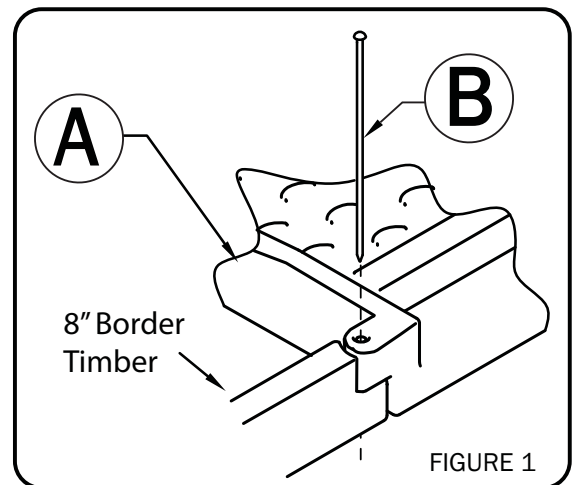


Determine the use zone requirements of your play structure found in your structure's **Installation Manual** before installing Accessible Ramp(A) and Border Timbers.

1. Place Accessible Ramp(A) into position on ground.
2. Position 8" Border Timber on Left side of Accessible Ramp(A) and secure with Spike(B). See *Figure 1*.
3. Insert Spike(B) into the (2) remaining holes in Accessible Ramp(A) and secure into ground. See *Figure 2*.
4. Continue this procedure until the entire play area is enclosed. See *Border Timber Installation Instructions*.

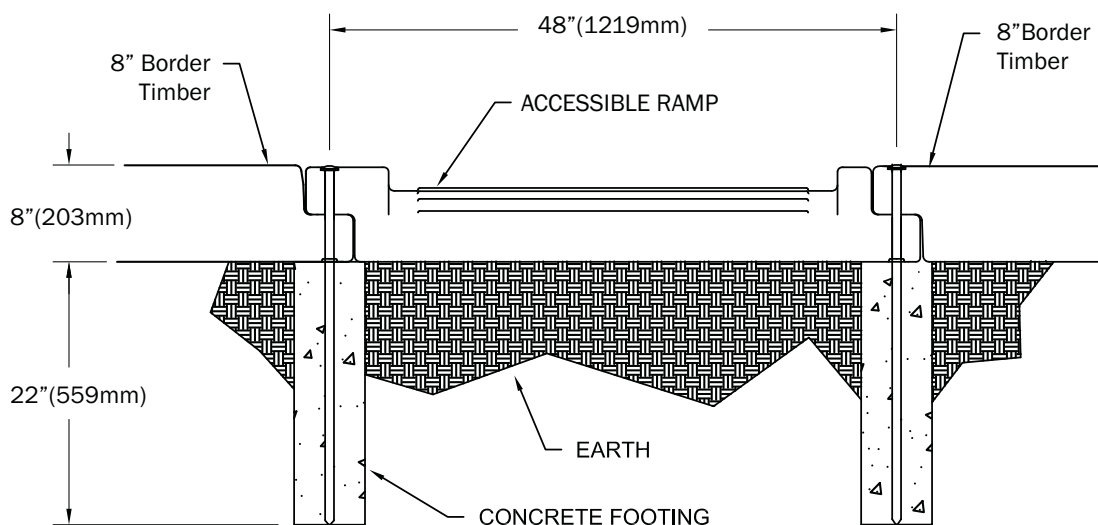
NOTE: Keep Border Timbers straight and plumb.

5. Fill play area with protective surfacing.



# INSTALLATION INSTRUCTIONS - 8" Border Timbers - Concrete

## REAR ELEVATION



## INSTALLATION INSTRUCTIONS

### using 8" Border Timbers with Concrete Footers:



Determine the use zone requirements of your play structure found in your structure's **Installation Manual** before installing Accessible Ramp(A) and Border Timbers.

1. Dig (4) holes according to Ground Plan on page 6.

NOTE: Due to extremes in weather and soil conditions, hole sizes may vary to meet local conditions.

2. Pour concrete into footing holes and lay Accessible Ramp(A) in position over surface. Push (2) Stakes(B) through the holes in the Accessible Ramp(A), through Border Timbers and into concrete. See *Figure 1*.
3. Push (2) Stakes(B) through the (2) remaining holes in Accessible Ramp(A) and into concrete. See *Figure 2*.
4. Allow 48 hours for concrete to set up before backfilling.

NOTE: CONCRETE FOOTINGS MAY NOT BE NECESSARY IF THE SOIL/BASE CONDITIONS ARE FIRM AND HOLD THE STAKE SECURELY.

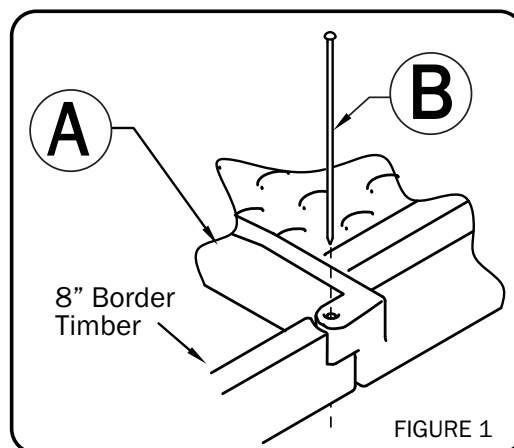


FIGURE 1

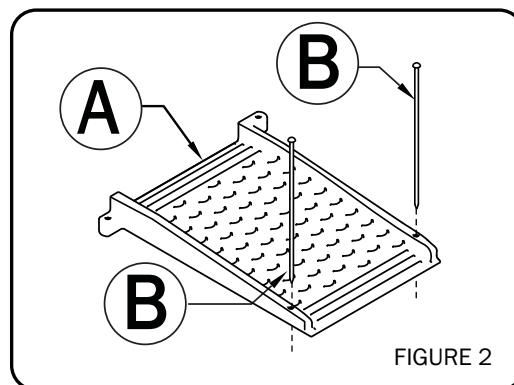
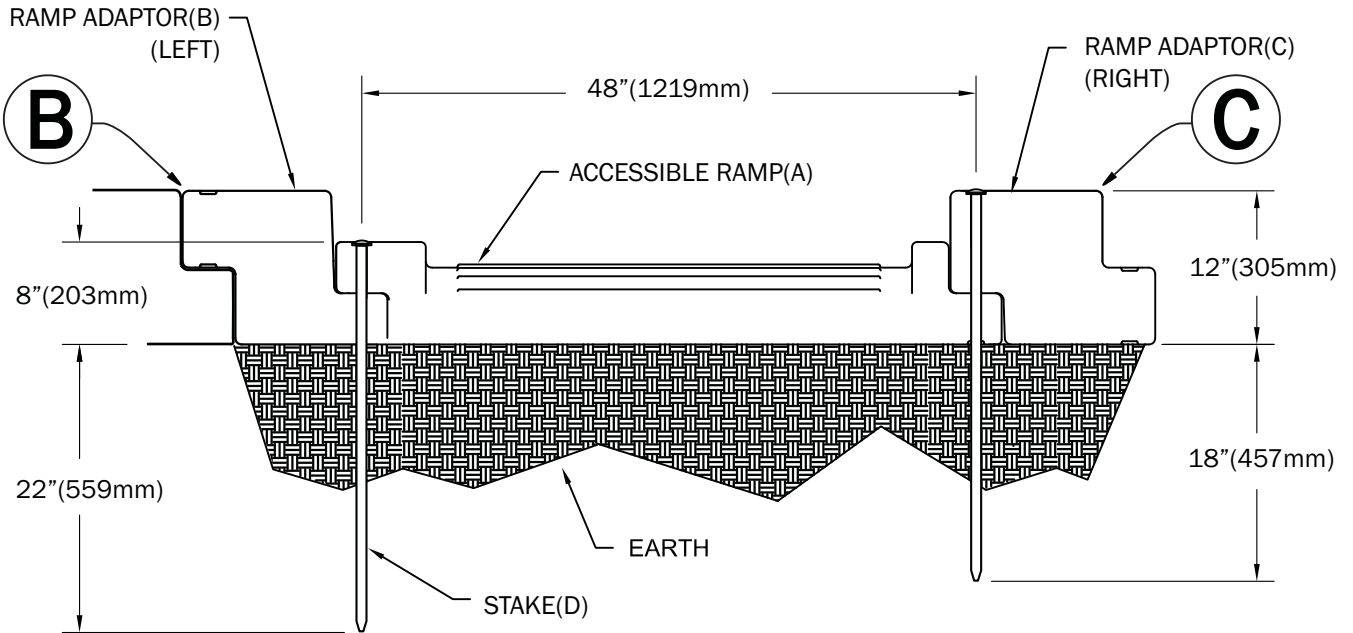


FIGURE 2

# INSTALLATION INSTRUCTIONS - 12" Border Timbers - No Concrete

## REAR ELEVATION

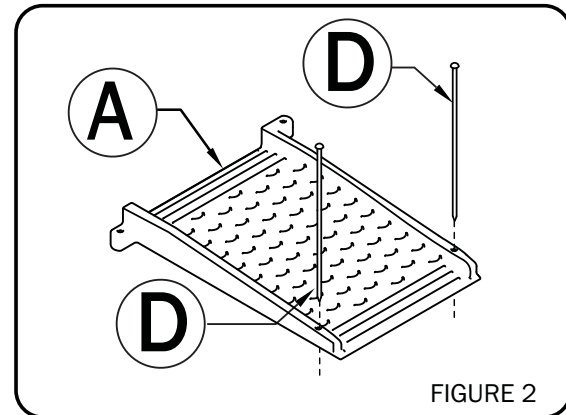
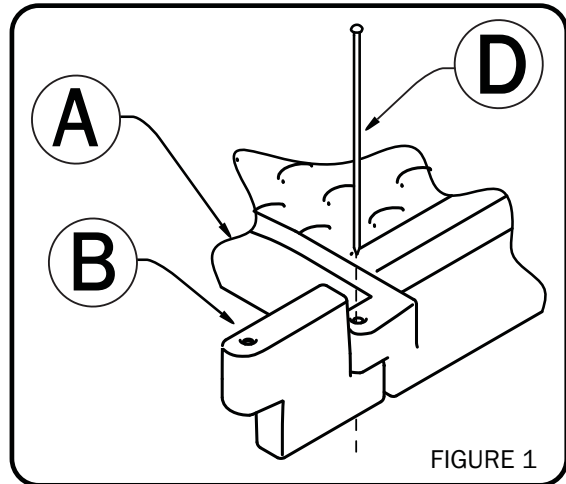


## INSTALLATION INSTRUCTIONS using 12" Border Timbers - No Concrete Footers:



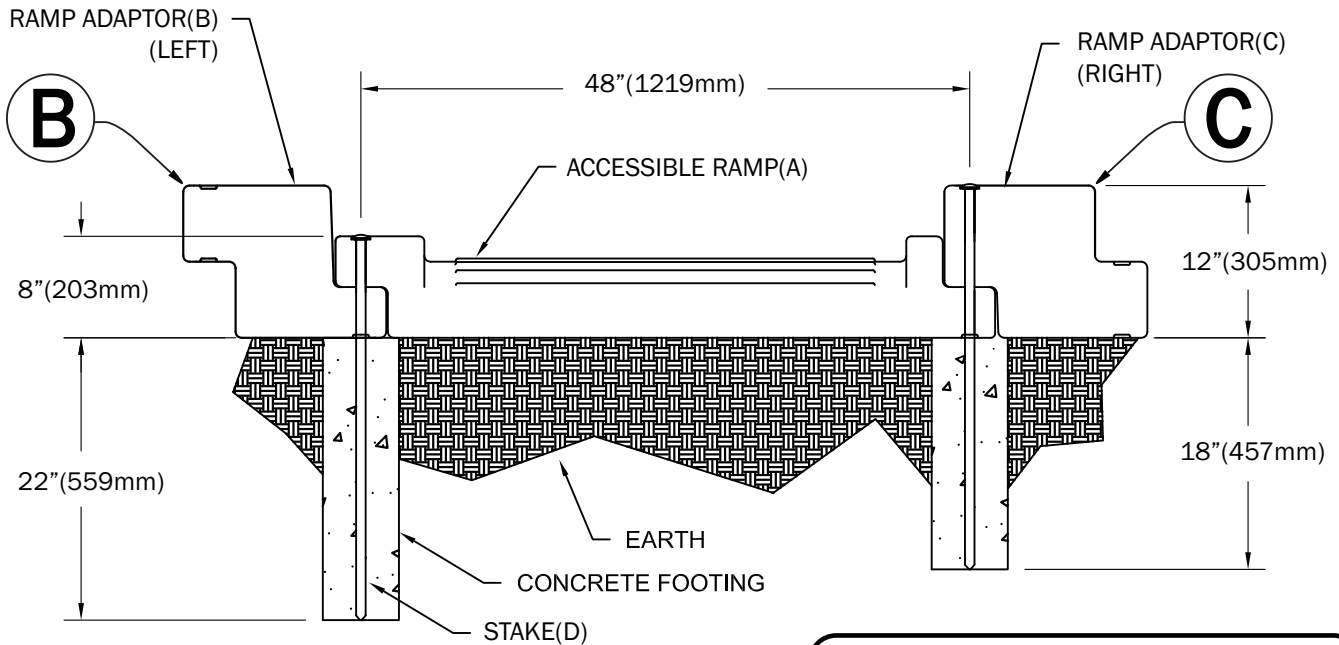
Determine the use zone requirements of your play structure found in your structure's **Installation Manual** before installing Accessible Ramp(A) and Border Timbers.

1. Place Accessible Ramp(A) into position on ground.
2. Position Left Ramp Adaptor(B) on left side of Accessible Ramp(A) and secure with Stake(D). Repeat for Right Ramp Adaptor(C). See *Figure 1*.
3. Insert the remaining (2) Stakes(D) into holes in Accessible Ramp(A) and secure to the ground with sledge hammer. See *Figure 2*.
4. Place 12" Border Timbers onto Left Ramp Adaptor(B) and secure with Stake(D). See *Border Timber Instructions*.  
NOTE: Keep Border Timbers straight and plumb.
5. Continue this procedure until the entire play area is enclosed.
6. Fill play area with protective surfacing.



# INSTALLATION INSTRUCTIONS - 12" Border Timbers - Concrete

## REAR ELEVATION



## INSTALLATION INSTRUCTIONS

### using 12" Border Timbers with Concrete Footers:



Determine the use zone requirements of your play structure found in your structure's **Installation Manual** before installing Accessible Ramp and Border Timbers.

1. Dig (4)holes according to Ground Plan on page 6.

NOTE: Due to extremes in weather and soil conditions, hole sizes may vary to meet local conditions.

2. Pour concrete into footing holes and lay Accessible Ramp(A) in position over surface. Push (2) Stakes(D) through the holes in the Accessible Ramp(A), through Ramp Adaptors(B,C) and into concrete. See *Figure 1*.
3. Push (2) Stakes(D) through the (2) remaining holes in Accessible Ramp(A) and into concrete. See *Figure 2*.
4. Allow 48 hours for concrete to set up before backfilling.

NOTE: CONCRETE FOOTINGS MAY NOT BE NECESSARY IF THE SOIL/BASE CONDITIONS ARE FIRM AND HOLD THE STAKE SECURELY.

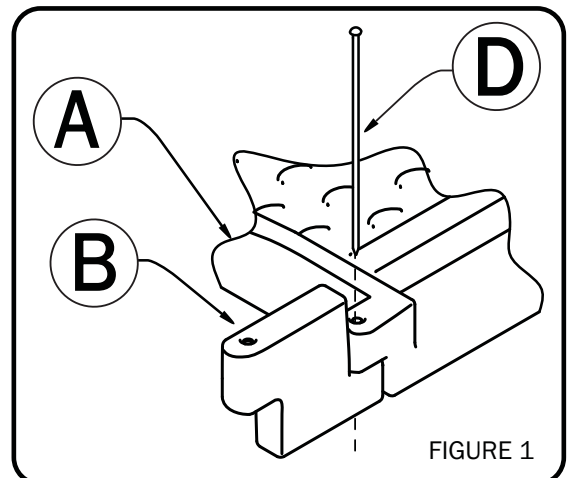


FIGURE 1

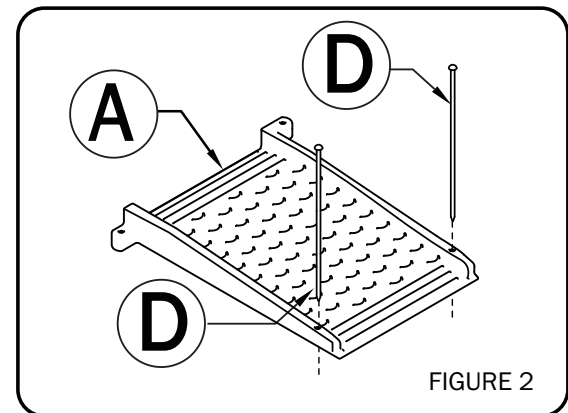
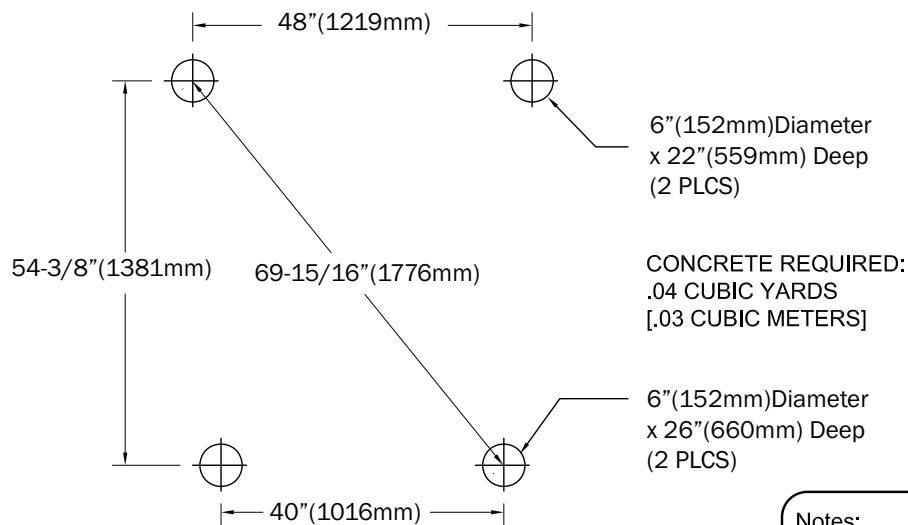


FIGURE 2

# GROUND PLAN and SPECIFICATIONS

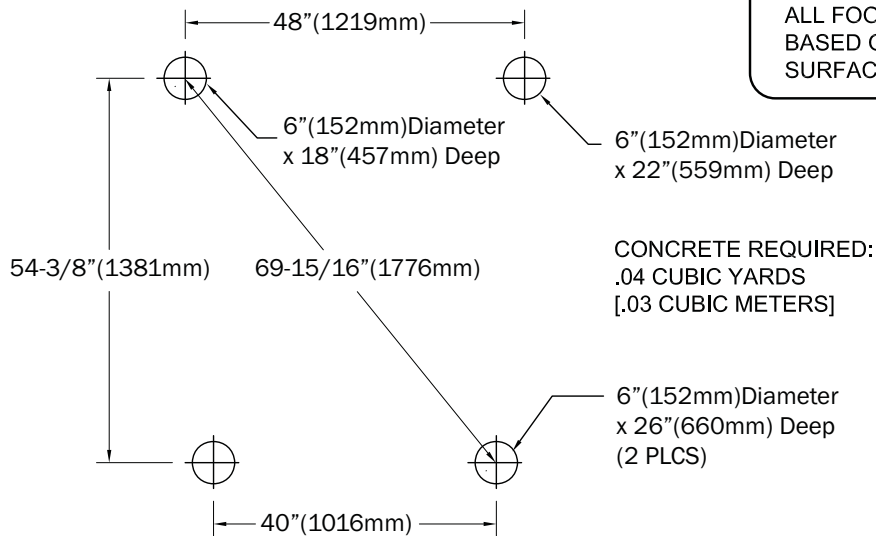
## GROUND PLAN-8" BORDER TIMBERS



### Notes:

- SUGGESTED MINIMUM CONCRETE RATING: 3000 PSI.
- HOLE DEPTHS INDICATED ON ALL GROUND PLANS ARE MEASURED FROM THE FINISHED SURFACE. ALL FOOTING DIMENSIONS ARE BASED ON LEVEL FINISHED SURFACE.

## GROUND PLAN- 12" BORDER TIMBERS



## **SPECIFICATIONS:**

ULTRAPLAY has a policy of continuous improvement and reserves the right to discontinue or change specifications without notice.

**Ramp** is rotational molded. 100% recycled/claimed linear low density polyethylene. Walls are 1/4" (6.35mm) thick.

**Border Adaptors** are rotational molded. 100% recycled/reclaimed linear low density polyethylene. Walls are 3/16" (4.76mm) thick.

**Stakes** are 3/4" (19mm) diameter, 30" (762mm) long hot dipped galvanized steel.