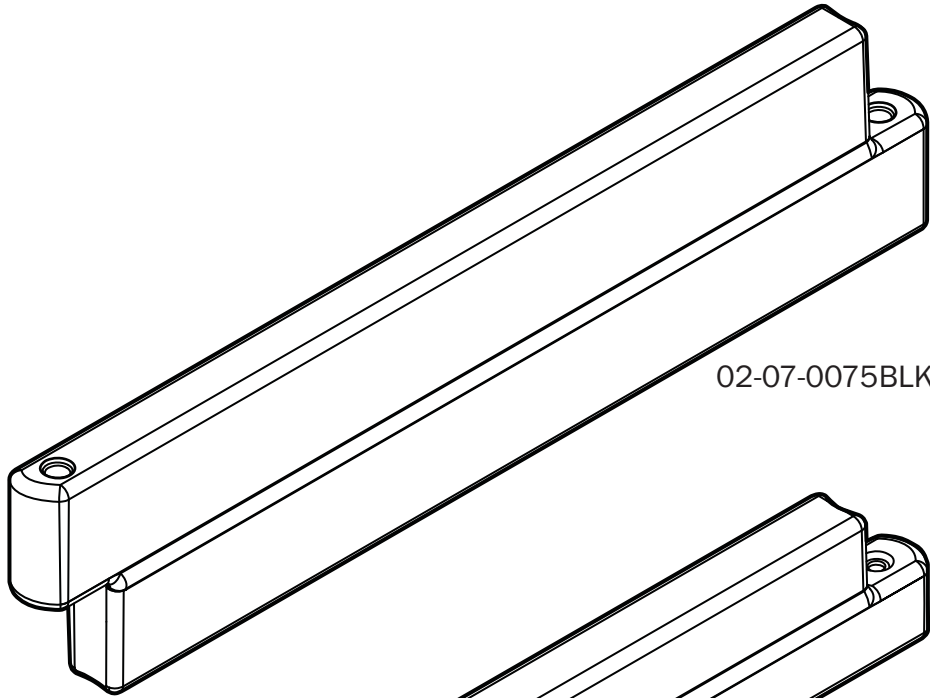


UPLAY TODAY™

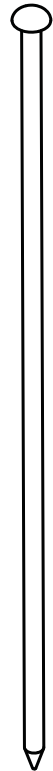
P L A Y S Y S T E M S



02-07-0075BLK



02-07-0076BLK



STAKE
02-07-0077

MODEL # 02-07-0075BLK (12"high)

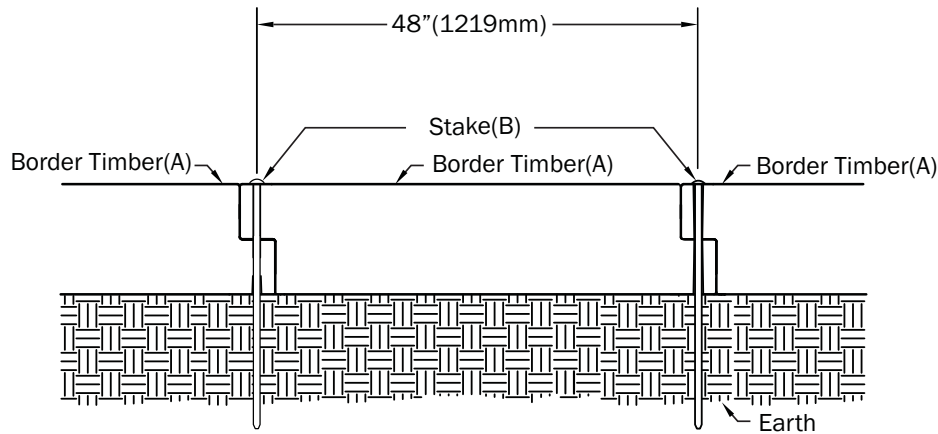
MODEL # 02-07-0076BLK (8"high)

Border Timber

INSTALLATION INSTRUCTIONS

INSTALLATION INSTRUCTIONS

SIDE ELEVATION



INSTALLATION INSTRUCTIONS (without concrete):



Determine the use zone requirements of your play structure found in your structure's **Installation Manual** before installing Border Timbers(A). Install Border Timbers(A) only after play structure has been installed.

1. After the use zone has been determined, place Border Timbers(A) on ground.
2. Connect Border Timbers(A) together with Stakes(B) and position Border Timbers(A) along the perimeter of the play area and measure the distance from each component to verify the use zone. See *Figure 1*.

NOTE: Do not secure Stakes(B) into the ground at this time. Only connect the Border Timbers(A) together in order to make necessary adjustments.

3. After adjustments have been made for the use zone. Secure Border Timbers(A) to the ground using sledge hammer.

NOTE: Keep Border Timbers(A) straight and plumb.

4. Continue this procedure until all Border Timbers(A) are secured to the ground.
5. Fill play area with protective surfacing.

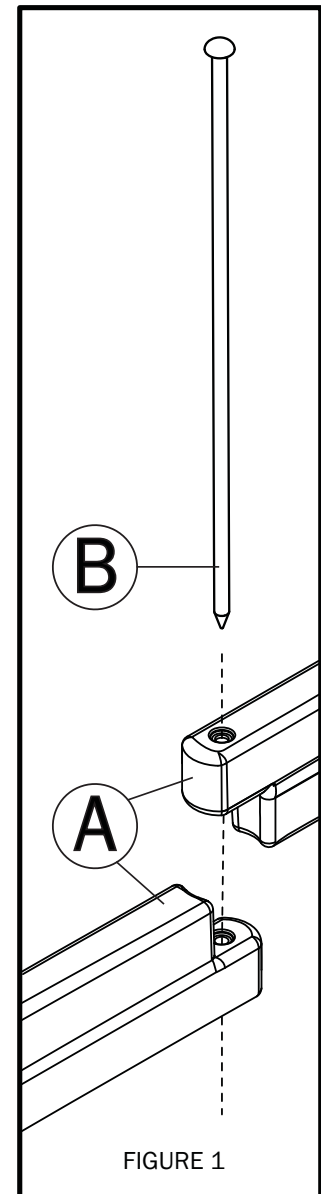
SPECIFICATIONS:

ULTRAPLAY has a policy of continuous improvement and reserves the right to discontinue or change specifications without notice.

Recycled Borders Timbers are rotational molded from 100% recycled/reclaimed linear low density polyethylene. Walls are 3/16" thick.

Stakes are 3/4" (19mm) diameter, 30" (762mm) long hot dipped galvanized steel.

NOTE: CONCRETE FOOTINGS MAY BE NECESSARY IF THE SOIL/BASE CONDITIONS ARE NOT FIRM ENOUGH TO SUPPORT THE STAKE SECURELY. (See *pages 3 and 4*)



INSTALLATION INSTRUCTIONS-CONCRETE

GROUND PLAN



Notes:

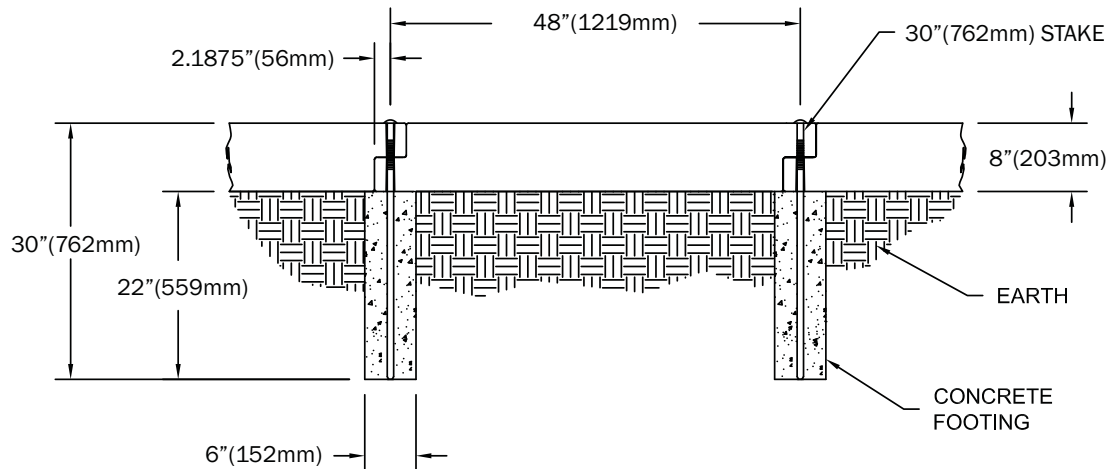
6"(152mm) Diameter x 22"(559mm) Deep

- SUGGESTED MINIMUM CONCRETE RATING: 3000 PSI.
- HOLE DEPTHS INDICATED ON ALL GROUND PLANS ARE MEASURED FROM THE FINISHED SURFACE. ALL FOOTING DIMENSIONS ARE BASED ON LEVEL FINISHED SURFACE.

CONCRETE REQUIRED:
.02 CUBIC YARDS [.01 CUBIC METERS]
PER BORDER (2 STAKES)

NOTE: CONCRETE FOOTINGS MAY NOT BE NECESSARY IF THE SOIL/BASE CONDITIONS ARE FIRM AND HOLD THE STAKE SECURELY.

SIDE ELEVATION



INSTALLATION INSTRUCTIONS (with concrete):



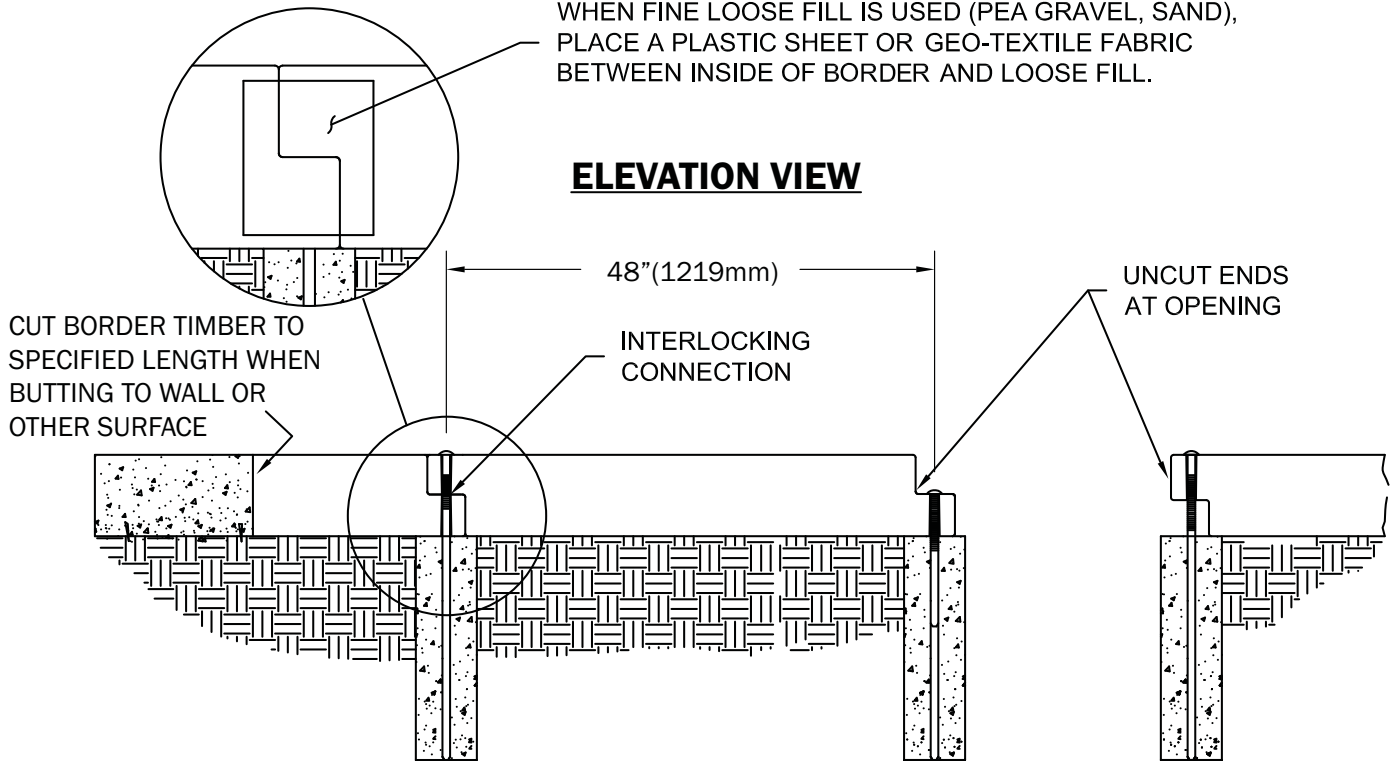
Determine the use zone requirements of your play structure found in your structure's **Installation Manual** before installing Border Timbers.

1. After the use zone has been determined, dig holes according to Ground Plan.
NOTE: Due to extremes in weather and soil conditions, hole sizes may have to be increased to meet local conditions.
2. Pour concrete into several footing holes and lay Border Timbers in position over surface. Push Stakes through the Border Timbers and into concrete. Keep Border Timbers straight and plumb. Continue this procedure until the entire play area is enclosed.
3. Allow 48 hours for concrete to set up before backfilling.

INSTALLATION INSTRUCTIONS-CONCRETE (Cont'd)

WHEN FINE LOOSE FILL IS USED (PEA GRAVEL, SAND), PLACE A PLASTIC SHEET OR GEO-TEXTILE FABRIC BETWEEN INSIDE OF BORDER AND LOOSE FILL.

ELEVATION VIEW



NOTE: CONCRETE FOOTINGS MAY NOT BE NECESSARY IF THE SOIL/BASE CONDITIONS ARE FIRM AND HOLD THE STAKE SECURELY.

END SECTIONS

